



Body shown with optional equipment

CHASSIS MODELS & SIZES

- MT-45
12', 14', 16', 18', 20' & 22'
- MT-55
14', 16', 18', 20', 22', 24', 26', 28' & 30'

STANDARD FEATURES

- Durable long lasting aluminum body
- Extruded aluminum floor with 10" wheel boxes
- Lift up aluminum hood
- Heavy-duty rub rail
- Interior sliding cab doors
- Sliding sash windows on R/L doors
- High-back cloth driver seat with lumbar
- 48,000 BTU Heater/Defroster – with recirculation function
- 8" Deep steel bumper with diamond plate surface
- Exterior dual head mirrors with black finish
- Cab and (1) cargo dome light w/switch on dash
- Incandescent lights recessed in kick plate
- Halogen headlights
- Mud flaps
- Twin 19" rear swing doors
- Aluminum roof
- Undercoating

OPTIONS

- Cab Air Conditioning
- AM/FM Radio
- Aluminum bulkhead with center sliding door
- Door-less driver
- 12-V power source in dash
- Jump Seat – Removable or Bulkhead mounted
- Additional passenger seating
- Power & non-power roof vents
- Additional cab or cargo dome lights
- Exterior LED Lights
- E-Track on cargo walls
- Cargo floor overlays center aisle or full width with .080 aluminum diamond plate
- Rear bumpers with Bustin Grated surface, 8" or 10" deep
- Liftgates
- Multiple cargo packages
- Back-up camera

WALK-IN VAN CUSTOMERS

- Delivery Companies
- Baking & Snack Food
- Textile Rental Industry
- Public Utility & Municipalities
- School Districts
- Newspaper Companies
- Contractors & Plumbers



24" deep aluminum shelves (fixed or bottom folding)



Standard seat with optional armrests



Aluminum bulkhead with center sliding door



Standard cargo area with smooth aluminum plank floor, aluminum roof liner and optional aluminum diamond-plate overlay and bulkhead separating cab and cargo area

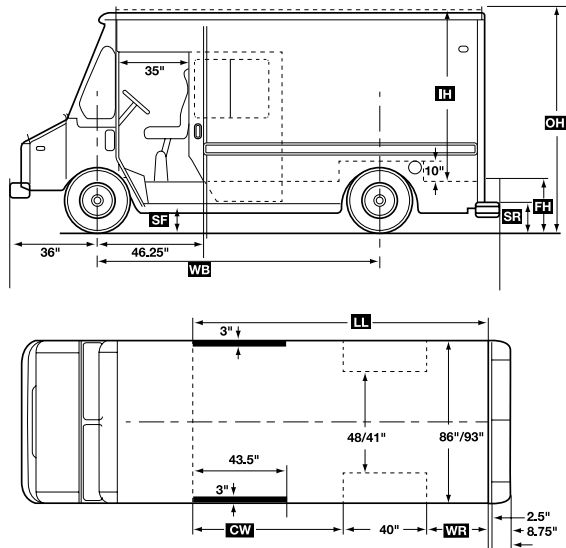
DIMENSIONS

Freightliner Chassis		MT45		MT45 - MT55				MT45		MT55			
WB Wheelbase		138"		158"		178"		190"		208"***		218"***	
Body Size	BS	12'-86W	12'-93W	14'	16'	16'	18'	18'	20'	22'	20'	22'	
Load Space Length	LL	144"	148.5"	168"	192"	192"	216"	216"	240"	264"	240"	264"	
Cargo Space Length with Bulkhead		144"	148"	161.5"	185.5"	185.5"	209.5"	209.5"	233.5"	252.5"	233.5"	257.5"	
Interior Width 86 or 93"	IW	86"	93"	86"/93"	86"/93"	86"/93"	86"/93"	93"	93"	93"	93"	93"	
Interior Height 81 or 85"	IH	81"/85"	81"/85"	81"/85"	81"/85"	81"/85"	81"/85"	81"/85"	85"	85"	85"	85"	
Cab to Wheel-Well	CW	64.8"	58.8"	92.25"	92.25"	111.75"	111.75"	123.75"	141.75"	141.75"	151.75"	151.75"	
Wheel Box to Rear	WR	35.37"	45.5"	31.75"	55.75"	36.25"	60.25"	48.25"	54.25"	78.5"	44.25"	68.25"	
Step Height at Front***	SF	17.5"	17.5"	17.5"-19.5"	17.5"-19.5"	17.5"-19.5"	17.5"-19.5"	17.5"-19.5"	17.5"-19.5"	17.5"-19.5"	17.5"-19.5"	17.5"-19.5"	
Step Height at Rear	SR	22"-23"	22"-23"	22"-26"	22"-26"	22"-26"	22"-26"	22"-26"	22.6"	22.6"	24"-26"	24"-26"	
Overall Length	OL	264.9"	266"	273"	297"	297"	321"	321"	345"	369"	345"	369"	
Overall Height - 81" - 85" (Standard Height)*	OH	119-123"	119"-123"	119"-123"	119"-123"	119"-123"	119"-123"	119"-123"	119"-123"	119"-123"	119"-123"	119"-123"	

* Dimension at curb weight ** 93" wide only *** Double step on MT45 & MT55 Second cab step 8.5" Third cab step to transmission cover 7.5"

Please call Morgan Olson sales for information on MT55 wheelbases on 250", 276" and 300" WB units

Please note body dimensions may change from model year to model year.



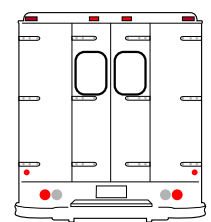
DOORS



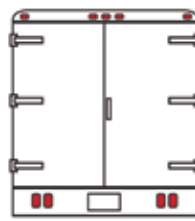
Full Roll-up



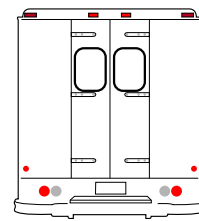
58.5" Roll-up



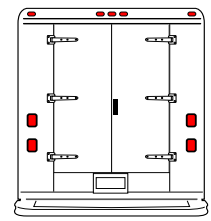
4 Piece Full*



2 Piece Full Open



Twin 19"***



Twin 29"



Translucent roof w/30" strip down center aisle or full width



8" or 12" deep aluminum or steel bumper, available with Bustin insert or treadplate



Right side passenger seat



Bulkhead mounted jump seat with optional orange seatbelt



Cargo sidewall liner options

At Morgan Olson, our quest for quality and safety is ongoing and therefore the specifications on the product described herein may vary over time. Please contact us or your local Morgan Olson dealer for the latest product information and available safety features and options.