

# MORGAN★OLSON®

## PACKAGE DELIVERY

### SHELVING SOLUTION



GENUINE OEM UPFIT

#### COMPLETE UPFIT INCLUDES

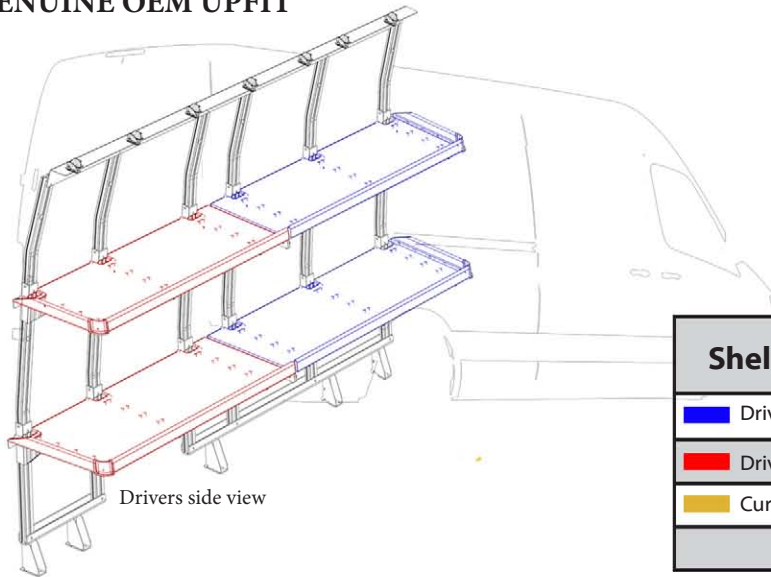
- 2 Rows of Adjustable Shelving
- Bulkhead Divider Ranger Sliding or Swing
- Back-up Safety Camera System
- 4" Round LED Dome Light
- 3 Safety Grab Handles (1 side / 2 rear)
- First Aid Kit & Fire Extinguisher






#### ALL ALUMINUM DESIGN

Total Weight 348 lbs

Maximum Load Rating 60 PLF (Pounds Per Linear Foot)



Drivers side view

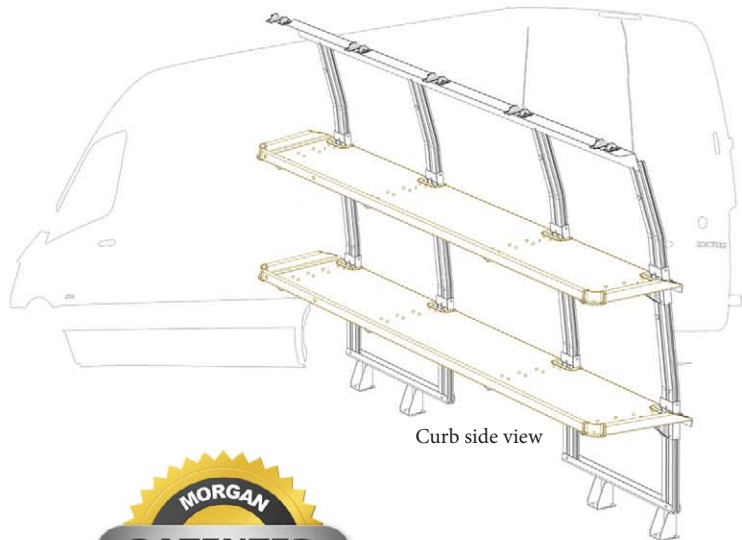
Shelving Location	Useable Depth	Useable Length
 Drivers side FRONT (Bottom/Top)	21.7"/18.8"	79.6"
 Drivers side REAR (Bottom/Top)	21.7"/18.8"	76.4"
 Curb side (Bottom/Top)	21.7"/18.8"	100.6"

All Shelves mounted at 4.2 degree fixed slant with 2" lip edge



Left- Heavy Duty shocks and hinges provide additional durability.

Below- Sidewall Stiffeners shaped to the contour of the van.



Curb side view



INFINITELY ADJUSTABLE  
SIDEWALL STIFFENERS

**MORGAN★OLSON®**

1801 South Nottawa St.  
Sturgis, Michigan 49091  
1.800.321.3758



# PACKAGE DELIVERY SHELVING PRODUCT COMPARISON



**MORGAN OLSON.**

The Competition



Larger Work Area Aisles.  
(Shoulder Room for Manuevability)



Superior Design Eliminates  
Poles & Cables by providing  
Heavy Duty Shocks & Brackets



Patented Adjustable Shelves  
that provide Flexibility  
to Adjust your Cargo Area Quickly.



**MORGAN OLSON.**

The Most Durable and Dependable  
Cargo Delivery Shelves on the Market.

[www.morganolsonparts.com](http://www.morganolsonparts.com)

1.800.233.4823